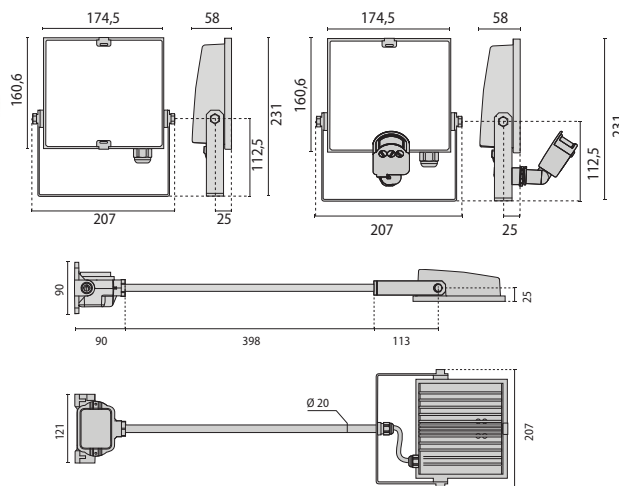


GUPELL ZERO



- GR-94 / Metallic grey / Textured
- BK-RAL9005 / Black RAL9005 / Glossy
- WH-RAL9010 / White RAL9010 / Glossy

- LED floodlight for indoor and outdoor lighting, comprising:
- Die-cast aluminum housing chemically pre-treated and painted with polyester powder coating
 - Flat tempered glass diffuser
 - Diffuser permanently sealed to the housing through a high temperature resistant silicone glue
 - Extra pure polished aluminium reflectors
 - Stainless steel external screws
 - Stainless steel locking springs for the glass
 - Powder coated steel bracket
 - Complete with 1 metre of cable H05RN-F 3G1 mm²
 - Versions of GUPELL ZERO KIT are complete with 0.5 m arm with integrated connection box, suitable for cascade connection
 - Passive infra-red motion sensor
 - 3000 K and 5000 K available upon request

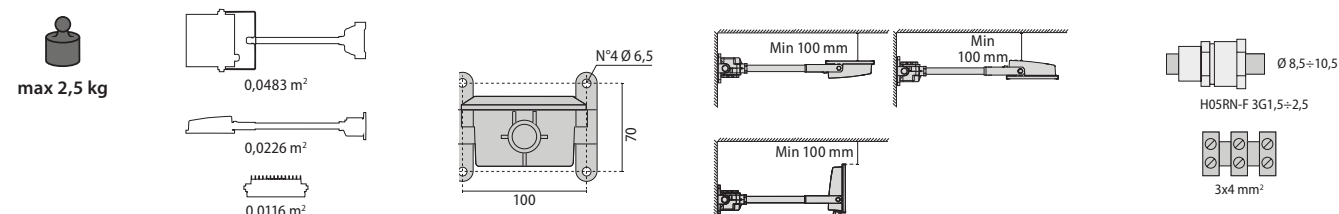
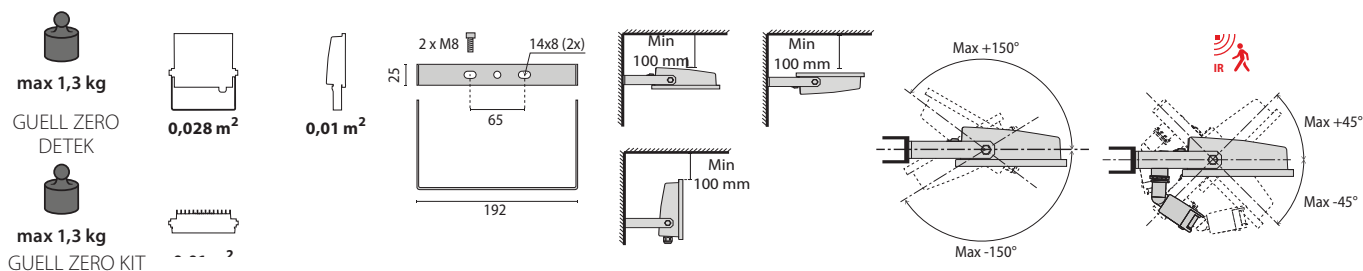


GUPELL ZERO
S/M
A/W

GUPELL ZERO
DETEK
S/M
A/W

GUPELL ZERO
KIT
S/M

GUPELL ZERO



GUELL ZERO S/M

IK06 1.2J xx3

LAMPHOLDER	WATTAGE	CLASS		CRI	KELVIN	COS Φ ≥ 0,9	OPTIC	OPTIC BEAM	LIGHTSOURCE LUMEN OUTPUT	LUMINAIRE LUMEN OUTPUT	L	B	LIFETIME	COLOUR/ RAL	PART NUMBER
Power LED 220-240 V 50/60 Hz															
LED	28 W	I		80	4000	•	S/M	-	3382 lm	2572 lm	70	10	150000 h	●	306514
LED	28 W	I		80	4000	•	S/M	-	3382 lm	2572 lm	70	10	150000 h	●	306512
LED	28 W	I		80	4000	•	S/M	-	3382 lm	2572 lm	70	10	150000 h	○	306513
LED	15 W	I		80	4000	•	S/M	-	1416 lm	866 lm	70	10	150000 h	●	06115394
LED	15 W	I		80	4000	•	S/M	-	1416 lm	866 lm	70	10	150000 h	●	06149080
LED	15 W	I		80	4000	•	S/M	-	1416 lm	866 lm	70	10	150000 h	○	06148985

IP 66



GUELL ZERO A/W

IK06 1.2J xx3

LAMPHOLDER	WATTAGE	CLASS		CRI	KELVIN	COS Φ ≥ 0,9	OPTIC	OPTIC BEAM	LIGHTSOURCE LUMEN OUTPUT	LUMINAIRE LUMEN OUTPUT	L	B	LIFETIME	COLOUR/ RAL	PART NUMBER
Power LED 220-240 V 50/60 Hz															
LED	28 W	I		80	4000	•	A30/W	-	3382 lm	2575 lm	70	10	150000 h	●	306523
LED	28 W	I		80	4000	•	A30/W	-	3382 lm	2575 lm	70	10	150000 h	●	306521
LED	28 W	I		80	4000	•	A30/W	-	3382 lm	2575 lm	70	10	150000 h	○	306522
LED	15 W	I		80	4000	•	A30/W	-	1416 lm	855 lm	70	10	150000 h	●	06115794
LED	15 W	I		80	4000	•	A30/W	-	1416 lm	855 lm	70	10	150000 h	●	06148680
LED	15 W	I		80	4000	•	A30/W	-	1416 lm	855 lm	70	10	150000 h	○	06148585

IP 66



GUELL ZERO DETEK S/M

IK06 1.2J xx3

LAMPHOLDER	WATTAGE	CLASS		CRI	KELVIN	COS Φ ≥ 0,9	OPTIC	OPTIC BEAM	LIGHTSOURCE LUMEN OUTPUT	LUMINAIRE LUMEN OUTPUT	L	B	LIFETIME	COLOUR/ RAL	PART NUMBER
Power LED 220-240 V 50/60 Hz															
LED	28 W	I		80	4000	•	S/M	-	3382 lm	2572 lm	70	10	150000 h	●	306530
LED	28 W	I		80	4000	•	S/M	-	3382 lm	2572 lm	70	10	150000 h	●	306529
LED	15 W	I		80	4000	•	S/M	-	1416 lm	866 lm	70	10	150000 h	●	06120094
LED	15 W	I		80	4000	•	S/M	-	1416 lm	866 lm	70	10	150000 h	●	06147480

IP 44



GUELL ZERO DETEK A/W

IK06 1.2J xx3

LAMPHOLDER	WATTAGE	CLASS		CRI	KELVIN	COS Φ ≥ 0,9	OPTIC	OPTIC BEAM	LIGHTSOURCE LUMEN OUTPUT	LUMINAIRE LUMEN OUTPUT	L	B	LIFETIME	COLOUR/ RAL	PART NUMBER
Power LED 220-240 V 50/60 Hz															
LED	28 W	I		80	4000	•	A30/W	-	3382 lm	2575 lm	70	10	150000 h	●	306536
LED	28 W	I		80	4000	•	A30/W	-	3382 lm	2575 lm	70	10	150000 h	●	306535
LED	15 W	I		80	4000	•	A30/W	-	1416 lm	855 lm	70	10	150000 h	●	06120194
LED	15 W	I		80	4000	•	A30/W	-	1416 lm	855 lm	70	10	150000 h	●	06147380

IP 44



GUELL ZERO KIT S/M

IK06 1.2J xx3

LAMPHOLDER	WATTAGE	CLASS		CRI	KELVIN	COS Φ ≥ 0,9	OPTIC	OPTIC BEAM	LIGHTSOURCE LUMEN OUTPUT	LUMINAIRE LUMEN OUTPUT	L	B	LIFETIME	COLOUR/ RAL	PART NUMBER
Power LED 220-240 V 50/60 Hz															
LED	28 W	I		80	4000	•	S/M	-	3382 lm	2572 lm	70	10	150000 h	●	306541
LED	28 W	I		80	4000	•	S/M	-	3382 lm	2572 lm	70	10	150000 h	○	306542
LED	15 W	I		80	4000	•	S/M	-	1416 lm	855 lm	70	10	150000 h	●	06124980
LED	15 W	I		80	4000	•	S/M	-	1416 lm	855 lm	70	10	150000 h	○	06147585

IP 66



OPTIONAL ACCESSORIES

DESCRIPTION	COLOR	PART NUMBER
GUELL ZERO		
500 mm arm completes with connection base GUELL ZERO	●	14453380
500 mm arm completes with connection base GUELL ZERO	○	14463585
1000 mm arm completes with connection base GUELL ZERO	●	14453480
1000 mm arm completes with connection base GUELL ZERO	○	14463485



14453380
14463585



14453480
14463485