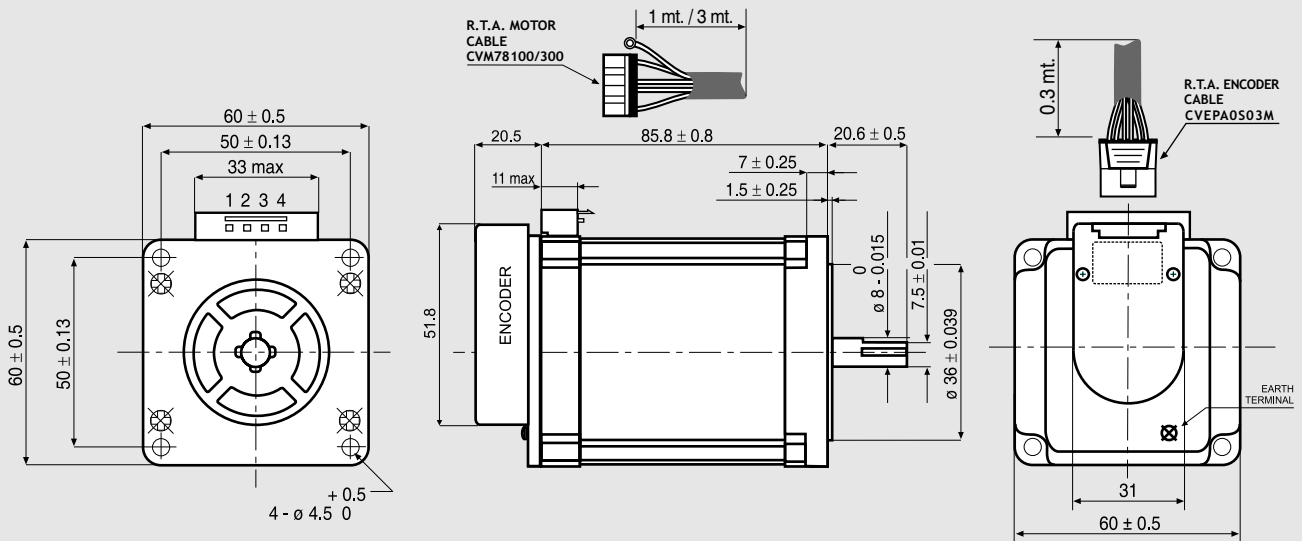


# EM 6H2M-04SO

## Dimensions (Unit:mm)



## SANYO DENKI MOTOR FEATURES

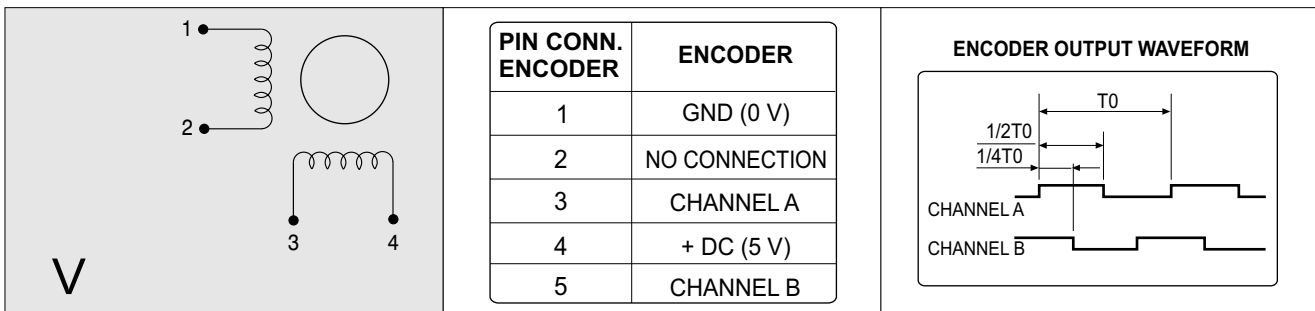
| MODEL                    | EM 6H2M-04SO                           |       |
|--------------------------|--|-------|
| SANYO DENKI MOTOR CODE   | 103-H7823-1714                         |       |
| BASIC STEP ANGLE         | 1.8° ± 0.09°                           |       |
| BIPOLAR PARALLEL CURRENT | (Amp)                                  | 4.0   |
| RESISTANCE               | (Ohm)                                  | 0.65  |
| INDUCTANCE               | (mH)                                   | 2.4   |
| BIPOLAR HOLDING TORQUE   | (Ncm)                                  | 300   |
| ROTOR INERTIA            | (Kgm <sup>2</sup> × 10 <sup>-7</sup> ) | 840   |
| THEORETICAL ACCELERATION | (rad × sec. <sup>-2</sup> )            | 35700 |
| BACK E.M.F.              | (V/Krpm)                               | 75    |
| MASS                     | (Kg)                                   | 1.5   |
| LEADS CODE               | V                                      |       |

103-H7823-1714 MOTOR NEEDS CVM78/100 OR CVM78/300 R.T.A. CABLES. CONTACT R.T.A. FOR FURTHER DETAILS.

## ENCODER FEATURES

|                      |        |   |
|----------------------|--------|---|
| POWER SUPPLY VOLTAGE | (Volt) | 5 V <sub>DC</sub> ± 5%                          |
| CURRENT CONSUMPTION  | (mAmp) | 50  |
| HIGH LEVEL OUTPUT    | (Volt) | 3.5 (TIP) - 2.4 (MIN) (I <sub>MAX</sub> =10 mA) |
| LOW LEVEL OUTPUT     | (Volt) | 0.2 (TIP) - 0.4 (MAX) (I <sub>MAX</sub> =10 mA) |
| OUTPUT SIGNAL        |        | Single Ended                                    |
| RESOLUTION           |        | 400 cycles per revolution                       |
| MAXIMUM FREQUENCY    | (KHz)  | 100   |

ENCODER NEEDS CVEPA0S03M R.T.A. CABLE. CONTACT R.T.A. FOR FURTHER DETAILS.



R.T.A. s.r.l.  
Via E. Mattei - Fraz. Divisa  
27020 MARCIGNAGO (PV) ITALY  
Tel. +39.0382.929.855 - Fax +39.0382.929.150  
www.rta.it

R.T.A. Deutschland GmbH  
Bublitzer Straße 34  
40599 DÜSSELDORF (Germany)  
Tel. +49.211.749.668.60 - Fax +49.211.749.668.66  
www.rta-deutschland.de

R.T.A. IBERICA-Motion Control Systems S.L.  
C/Generalitat 22, 1° 3°  
08850 GAVA - BARCELONA (Spain)  
Tel. +34.936.388.805 - Fax +34.936.334.595  
www.rta-iberica.es