

PCB LINE

NEW

QUICK PCB LINE



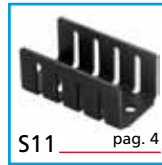
Directive

03/11

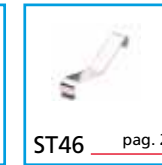
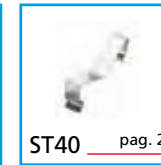
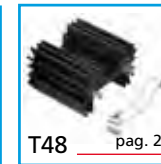
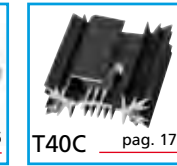
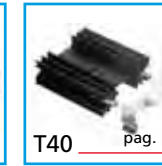


index

S series



T series



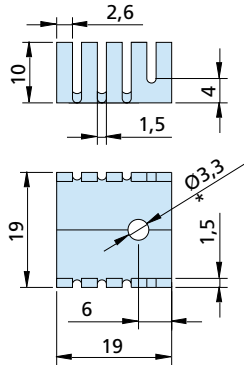


Serie S S Series

Dissipatori per circuiti stampati e circuiti integrati in alluminio e rame
PCB and IC Heatsinks aluminium-copper

S8

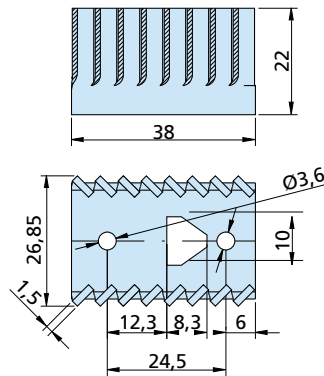
RT 31°C/W



AN	Alluminio, black anodized	On stock
W	Alluminium, pre-black anodized	On request
R	Alluminium, row	On request
Assembly: TO220/Manual Assembly		

S9

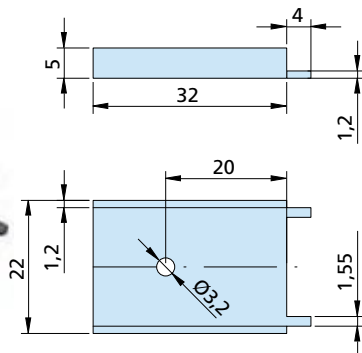
RT 13,5°C/W



AN	Alluminio, black anodized	On stock
W	Alluminium, pre-black anodized	On request
CT	Copper /Tinned	On request
R	Alluminium, row	On request
Assembly: TO220/Manual Assembly		

S10

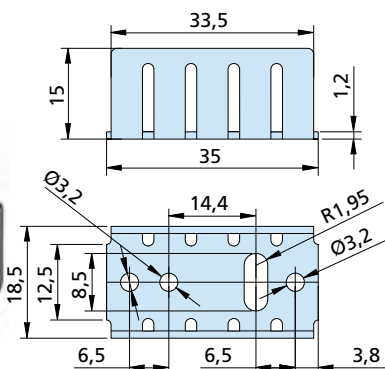
RT 25°C/W



AN	Alluminio, black anodized	On stock
W	Alluminium, pre-black anodized	On request
R	Alluminium, row	On request
Assembly: TO220/Manual Assembly		

S11

RT 17,5°C/W



AN	Alluminio, black anodized	On stock
W	Alluminium, pre-black anodized	On request
CT	Copper /Tinned	On request
R	Alluminium, row	On request
Assembly: TO220/Manual Assembly		

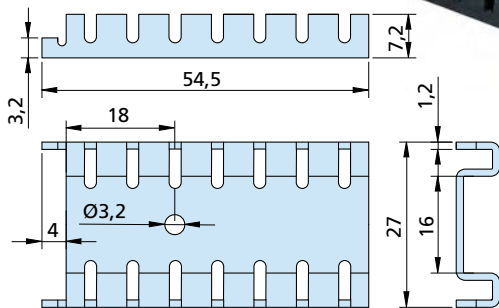


Serie S S Series

Dissipatori per circuiti stampati e circuiti integrati in alluminio e rame
PCB and IC Heatsinks aluminium-copper

S19/50

RT 20°C/W

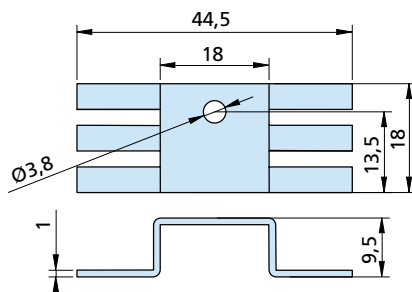


AN	Alluminio, black anodized	On stock
W	Alluminium, pre-black anodized	On request
CT	Copper /Tinned	On request
R	Alluminium, row	On request

Assembly: TO220/Manual Assembly

S20/18

RT 16°C/W

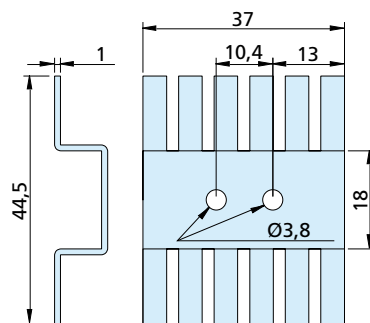


AN	Alluminio, black anodized	On stock
W	Alluminium, pre-black anodized	On request
CT	Copper /Tinned	On request
R	Alluminium, row	On request

Assembly: TO220/Manual Assembly

S20/37

RT 8°C/W

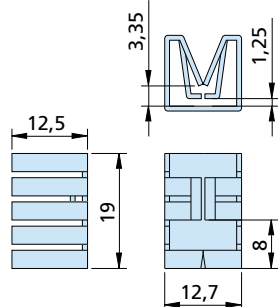


AN	Alluminio, black anodized	On stock
W	Alluminium, pre-black anodized	On request
CT	Copper /Tinned	On request
R	Alluminium, row	On request

Assembly: TO220/Manual Assembly

S21

RT 20°C/W



W	Alluminium, pre-black anodized	On request
	Alluminium, row	On request

Assembly: TO220/Self-locking

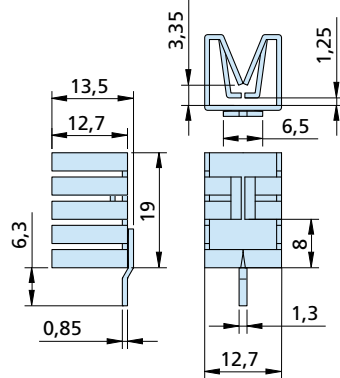
Serie S Dissipatori per circuiti stampati e circuiti integrati in alluminio e rame

S Series PCB and IC Heatsinks aluminium-copper



S21-1

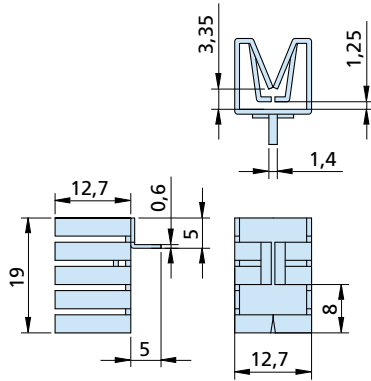
RT 20°C/W



W Alluminio, pre-black anodized On request
 CT Copper /Tinned On request
 R Alluminio, row On request
 Assembly: TO220/Self-locking

S21-2

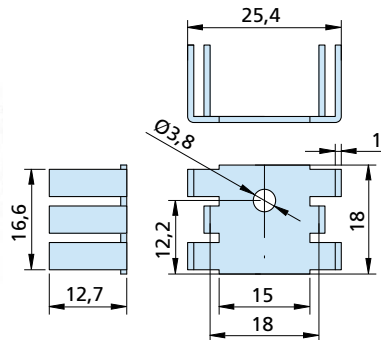
RT 20°C/W



W Alluminio, pre-black anodized On request
 CT Copper /Tinned On request
 R Alluminio, row On request
 Assembly: TO220/Self-locking

S24

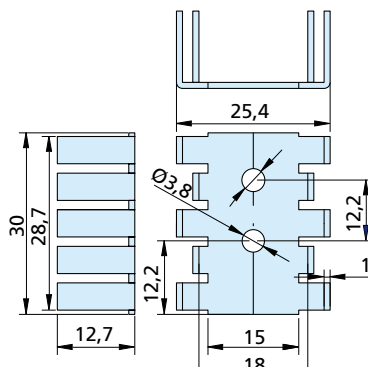
RT 21°C/W



AN Alluminio, black anodized On request
 W Alluminio, pre-black anodized On request
 CT Copper /Tinned On request
 R Alluminio, row On request
 Assembly: TO220/Manual Assembly

S25

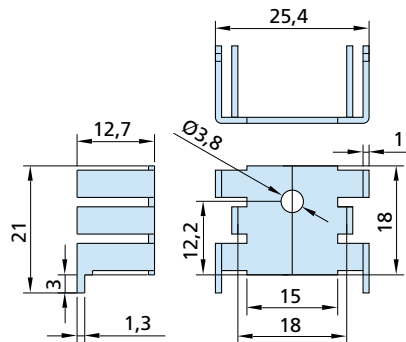
RT 15°C/W



AN Alluminio, black anodized On request
 W Alluminio, pre-black anodized On request
 CT Copper /Tinned On request
 R Alluminio, row On request
 Assembly: TO220/Manual Assembly

S26

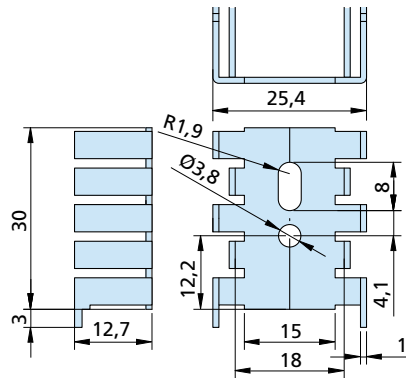
RT 21°C/W



AN	Alluminio, black anodized	On request
W	Alluminio, pre-black anodized	On request
R	Alluminio, row	On request
Assembly: TO220/Manual Assembly		

S27

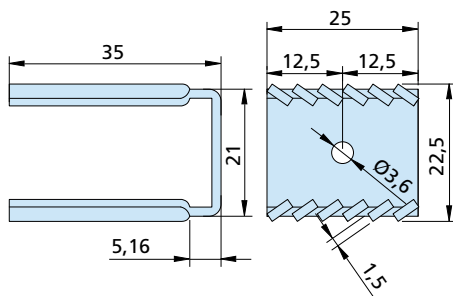
RT 15°C/W



AN	Alluminio, black anodized	On stock
W	Alluminio, pre-black anodized	On request
R	Alluminio, row	On request
Assembly: TO220/Manual Assembly		

S28

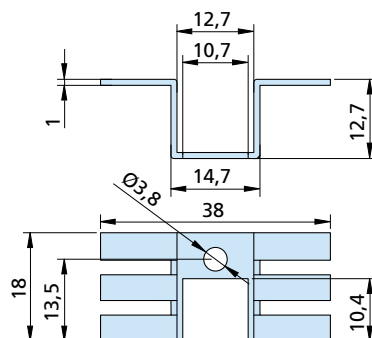
RT 11°C/W



AN	Alluminio, black anodized	On stock
W	Alluminio, pre-black anodized	On request
CT	Copper /Tinned	On request
R	Alluminio, row	On request
Assembly: TO220/Manual Assembly		

S30

RT 18°C/W



AN	Alluminio, black anodized	On request
W	Alluminio, pre-black anodized	On request
CT	Copper /Tinned	On request
R	Alluminio, row	On request
Assembly: TO220/Manual Assembly		

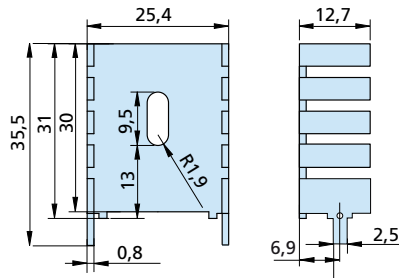
Serie S Dissipatori per circuiti stampati e circuiti integrati in alluminio e rame

S Series PCB and IC Heatsinks aluminium-copper



S31

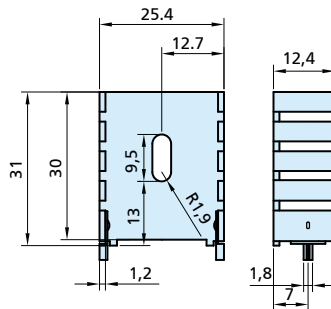
RT 14°C/W



AN	Alluminio, black anodized	On stock
W	Alluminio, pre-black anodized	On request
R	Alluminio, row	On request
Assembly: TO220/247/Manual Assembly		

S31 PIN7

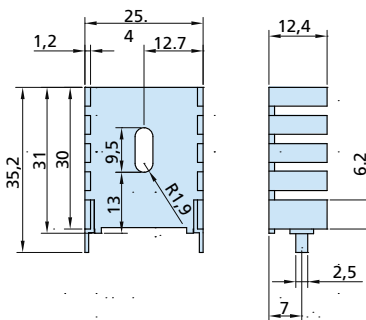
RT 14°C/W



AN	Alluminio, black anodized	On request
W	Alluminio, pre-black anodized	On request
R	Alluminio, row	On request
Assembly: TO220/247/Manual Assembly		

S31-1 PIN7

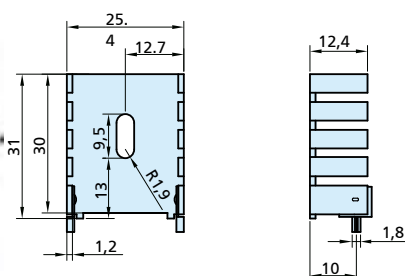
RT 14°C/W



AN	Alluminio, black anodized	On request
W	Alluminio, pre-black anodized	On request
R	Alluminio, row	On request
Assembly: TO220/247/Manual Assembly		

S31 PIN10

RT 14°C/W



AN	Alluminio, black anodized	On request
W	Alluminio, pre-black anodized	On request
R	Alluminio, row	On request
Assembly: TO220/247/Manual Assembly		

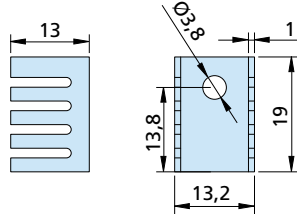


Serie S S Series

Dissipatori per circuiti stampati e circuiti integrati in alluminio e rame
PCB and IC Heatsinks aluminium-copper

S32

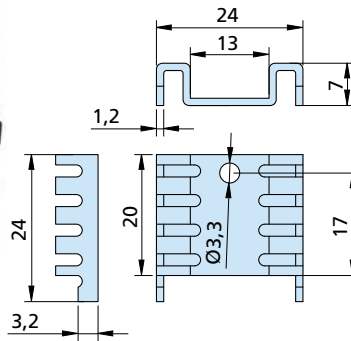
Ø 3,8
RT 24°C/W



AN	Alluminio, black anodized	On stock
W	Alluminium, pre-black anodized	On request
R	Alluminium, row	On request
Assembly: TO220/Manual Assembly		

S35

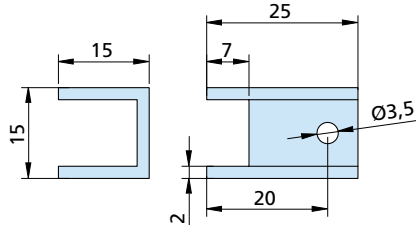
RT 21°C/W



AN	Alluminio, black anodized	On stock
W	Alluminium, pre-black anodized	On request
CT	Copper /Tinned	On request
R	Alluminium, row	On request
Assembly: TO220/Manual Assembly		

T14

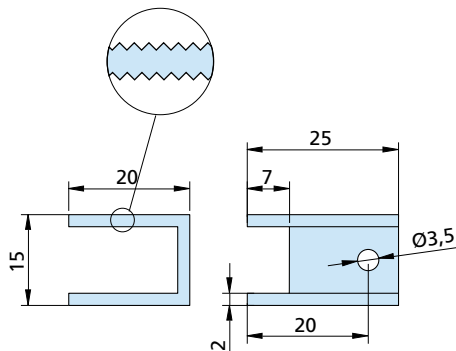
RT 18°C/W



AN	Alluminio, black anodized	On stock
W	Alluminium, pre-black anodized	On request
R	Alluminium, row	On request
Assembly: TO220/Manual Assembly		

T15H20

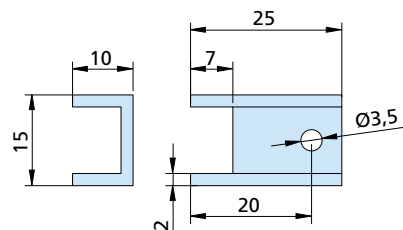
RT 18°C/W



AN	Alluminio, black anodized	On stock
R	Alluminium, row	On request
Assembly: TO220/Manual Assembly		

T15H10

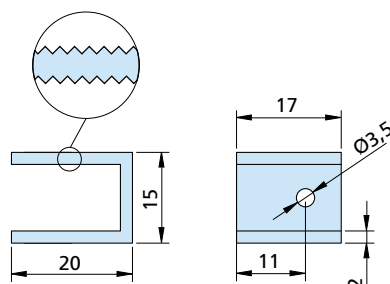
RT 20°C/W



AN	Alluminio, black anodized	On stock
W	Alluminium, pre-black anodized	On request
R	Alluminium, row	On request
Assembly: TO220/Manual Assembly		

T16

RT 20°C/W



AN	Alluminio, black anodized	On stock
W	Alluminium, pre-black anodized	On request
R	Alluminium, row	On request
Assembly: TO22/Manual Assembly		

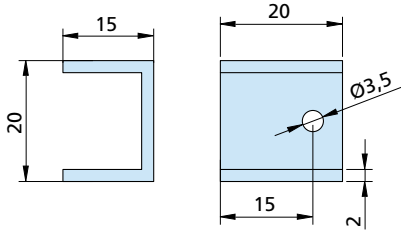


Serie T T Series

Dissipatori estrusi per piccole potenze
Low power extruded heat sink- Clips

T20

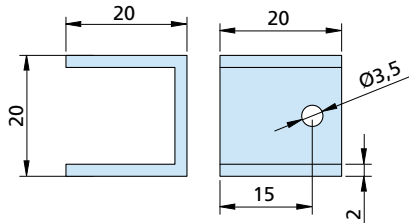
RT 21°C/W



AN	Alluminio, black anodized	On stock
W	Alluminium, pre-black anodized	On request
R	Alluminium, row	On request
Assembly: TO220/247/Manual Assembly		

T21

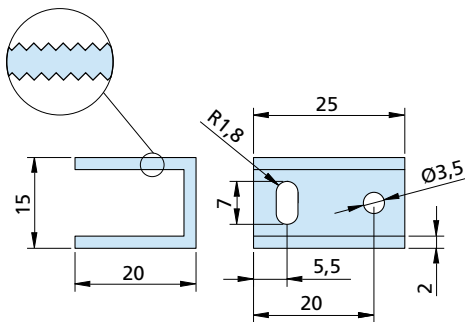
RT 20°C/W



AN	Alluminio, black anodized	On stock
W	Alluminium, pre-black anodized	On request
R	Alluminium, row	On request
Assembly: TO220/Manual Assembly		

T22

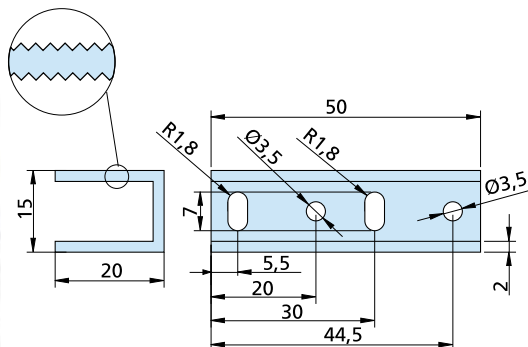
RT 18°C/W



AN	Alluminio, black anodized	On request
W	Alluminium, pre-black anodized	On request
R	Alluminium, row	On request
Assembly: TO220/Manual Assembly		

T23

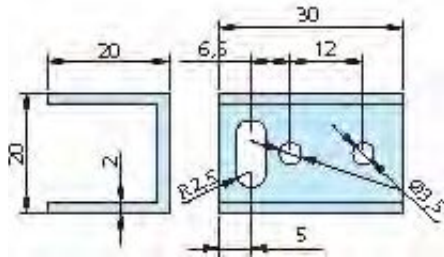
RT 11°C/W



AN	Alluminio, black anodized	On request
W	Alluminium, pre-black anodized	On request
R	Alluminium, row	On request
Assembly: TO220/Manual Assembly		

T24

RT 14°C/W

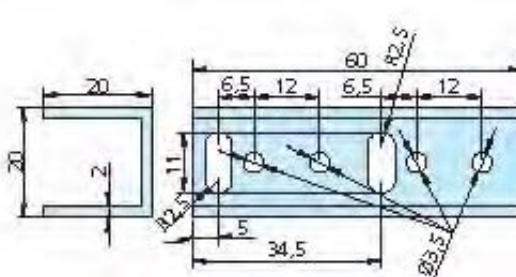


AN	Alluminio, black anodized	On stock
W	Alluminio, pre-black anodized	On request
R	Alluminio, row	On request

Assembly: TO220/Manual Assembly

T25

RT 9°C/W

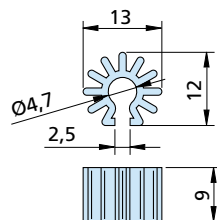


AN	Alluminio, black anodized	On request
W	Alluminio, pre-black anodized	On request
R	Alluminio, row	On request

Assembly: TO220/Manual Assembly

T27

RT 77°C/W

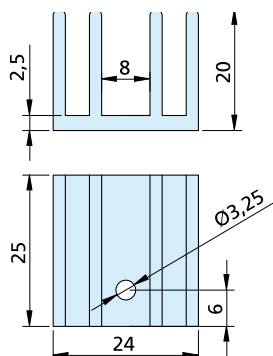


AN	Alluminio, black anodized	On request
W	Alluminio, pre-black anodized	On request
R	Alluminio, row	On request

Assembly: TO220/Manual Assembly

T28

RT 14°C/W



AN	Alluminio, black anodized	On stock
W	Alluminio, pre-black anodized	On request
R	Alluminio, row	On request

Assembly: TO220/Manual Assembly

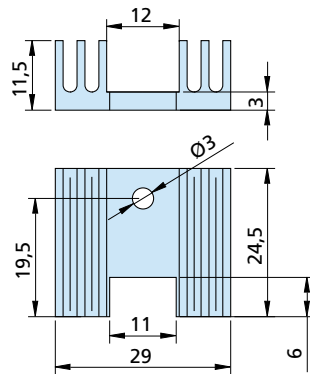


Serie T T Series

Dissipatori estrusi per piccole potenze
Low power extruded heat sink- Clips

T29

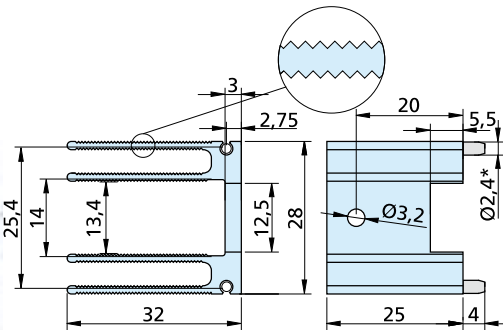
RT 13°C/W



AN Alluminio, black anodized On stock
W Alluminio, pre-black anodized On request
R Alluminio, row On request
Assembly: TO220/Manual Assembly

T30

RT 11°C/W



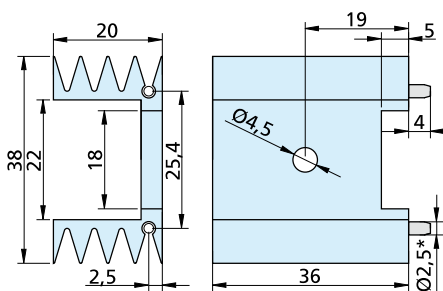
AN Alluminio, black anodized On stock
W Alluminio, pre-black anodized On request
R Alluminio, row On request
Assembly: TO220/Manual Assembly

Disponibile versione con pin saldatura su PCB, esempio: T30CP
Available with pins version for PCB assembly, example: T30CP

*Nota/Note: 2,4 mm ± 0,05

T31

RT 9,6°C/W



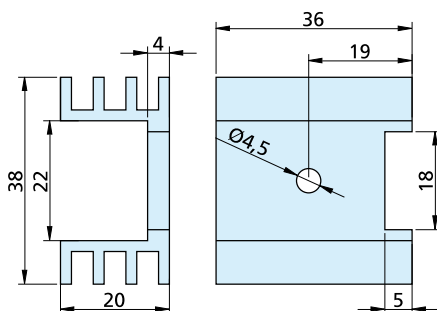
AN Alluminio, black anodized On stock
R Alluminio, row On request
Assembly: TO220/247/Manual Assembly

Disponibile versione CON pin saldatura su PCB, esempio: T31CP
Available with pins version for PCB assembly, example: T31CP

*Nota/Note: 2,5 mm ± 0,05

T32

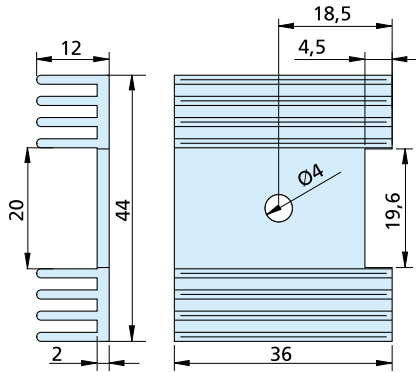
RT 9,6°C/W



AN Alluminio, black anodized On stock
W Alluminio, pre-black anodized On request
R Alluminio, row On request
Assembly: TO220/247/Manual Assembly

T34

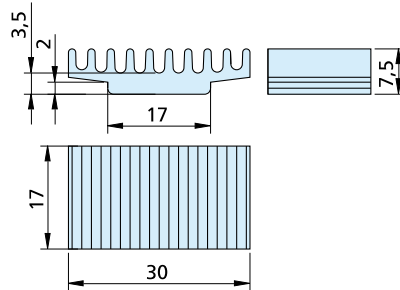
RT 10,9°C/W



AN Alluminio, black anodized On stock
 W Alluminio, pre-black anodized On request
 R Alluminio, row On request
 Assembly: TO220/247/Manual Assembly

T35

RT 17°C/W

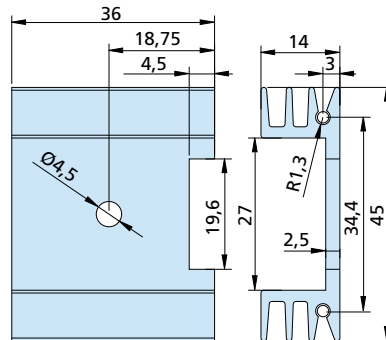


AN Alluminio, black anodized On request
 W Alluminio, pre-black anodized On request
 R Alluminio, row On request
 Assembly: TO220/247/Manual Assembly

Completo di film adesivo su richiesta.
 Adesive film on request.

T37

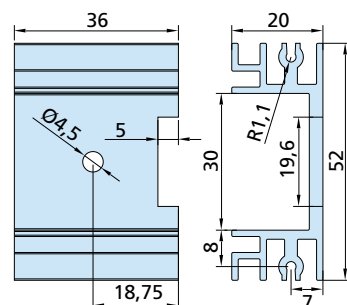
RT 9°C/W



AN Alluminio, black anodized On stock
 W Alluminio, pre-black anodized On request
 R Alluminio, row On request
 Assembly: TO220/247/Manual Assembly

T38

RT 7,5°C/W



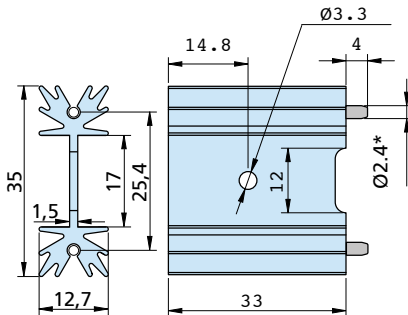
AN Alluminio, black anodized On stock
 W Alluminio, pre-black anodized On request
 R Alluminio, row On request
 Assembly: TO220/247/Manual Assembly

T40/33

RT 11°C/W



ST40



*Nota/Note: 2,4 mm ± 0,05

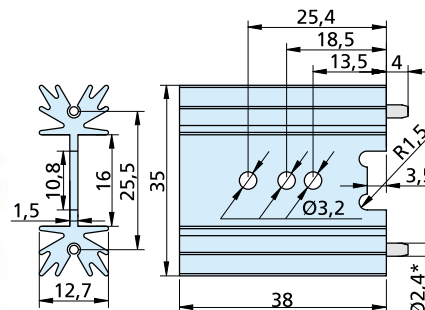
AN	Alluminio, black anodized	On stock
W	Alluminium, pre-black anodized	On request
R	Alluminium, row	On request
Assembly: TO220/Manual Assembly/Self-locking		
Clip ST40		On request

T40/38

RT 10°C/W



ST40



*Nota/Note: 2,4 mm ± 0,05

AN	Alluminio, black anodized	On stock
W	Alluminium, pre-black anodized	On request
R	Alluminium, row	On request
Assembly: TO220/Manual Assembly/Self-locking		
Clip ST40		On request

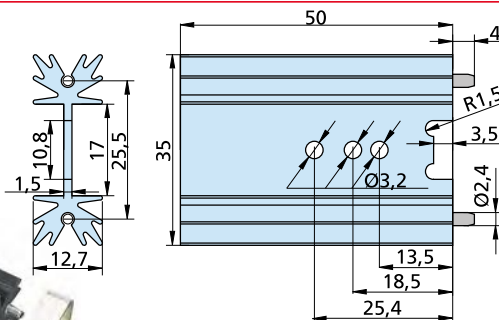
Disponibile versione senza pin saldatura su PCB, esempio: T40/38SP
Available without pins version for PCB assembly, example: T40/38SP

T40/50

RT 8°C/W



ST40

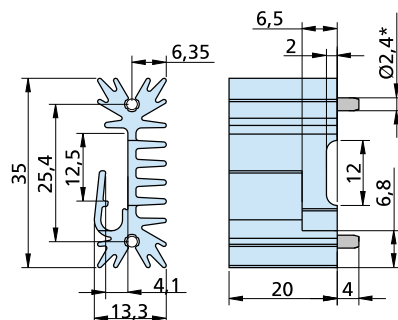


AN	Alluminio, black anodized	On stock
W	Alluminium, pre-black anodized	On request
R	Alluminium, row	On request
Assembly: TO220/Manual Assembly/Self-locking		
Clip ST40		On request

Disponibile versione senza pin saldatura su PCB, esempio: T40/50SP
Available without pins version for PCB assembly, example: T40/50SP

T40C/20

RT 9°C/W



*Nota/Note: 2,4 mm ± 0,05

W	Alluminium, pre-black anodized	On request
R	Alluminium, row	On request
Assembly: TO220/247/Self-locking		

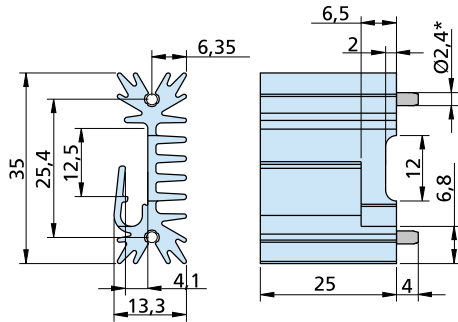
Disponibile versione senza pin saldatura su PCB, esempio: T40C/20SP
Available without pins version for PCB assembly, example: T40C/20SP

HIGH PERFORMANCES

HIGH PERFORMANCES

T40C/25

RT 8°C/W



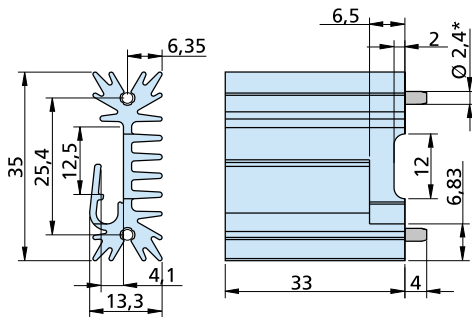
*Nota/Note: 2,4 mm ± 0,05

W Alluminium, pre-black anodized On request
R Alluminium, row On request
Assembly: TO220/Self-locking

Disponibile versione senza pin saldatura su PCB, esempio: T40C/25SP
Available without pins version for PCB assembly, example: T40C/25SP

T40C/33

RT 7°C/W



*Nota/Note: 2,4 mm ± 0,05

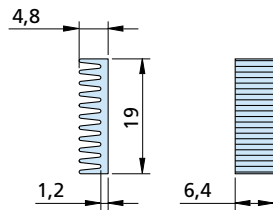
HIGH PERFORMANCES

W Alluminium, pre-black anodized On request
R Alluminium, row On request
Assembly: TO220/Self-locking

Disponibile versione senza pin saldatura su PCB, esempio: T40C/33SP
Available without pins version for PCB assembly, example: T40C/33SP

T42/6,4

RT 48°C/W

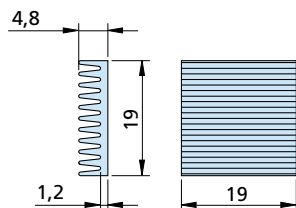


AN Alluminio, black anodized On request
W Alluminium, pre-black anodized On request
R Alluminium, row On request
Assembly: TO220/247/Manual Assembly

Completo di film adesivo su richiesta.
Adesive film on request.

T42/19

RT 42°C/W

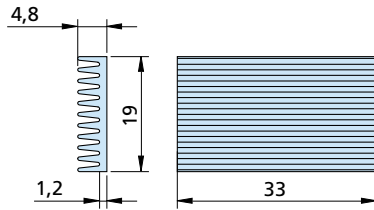


AN Alluminio, black anodized On request
W Alluminium, pre-black anodized On request
R Alluminium, row On request
Assembly: TO220/247/Manual Assembly

Completo di film adesivo su richiesta.
Adesive film on request.

T42/33

RT 13°C/W

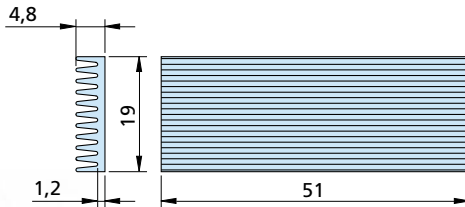


AN Alluminio, black anodized On request
 W Alluminio, pre-black anodized On request
 R Alluminio, row On request
 Assembly: TO220/247/Manual Assembly

Completo di film adesivo su richiesta.
 Adesive film on request.

T42/51

RT 8,5°C/W

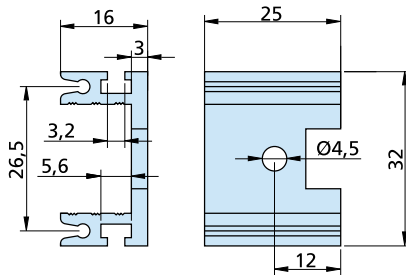


AN Alluminio, black anodized On request
 W Alluminio, pre-black anodized On request
 R Alluminio, row On request
 Assembly: TO220/247/Manual Assembly

Completo di film adesivo su richiesta.
 Adesive film on request.

T44/25

RT 13°C/W



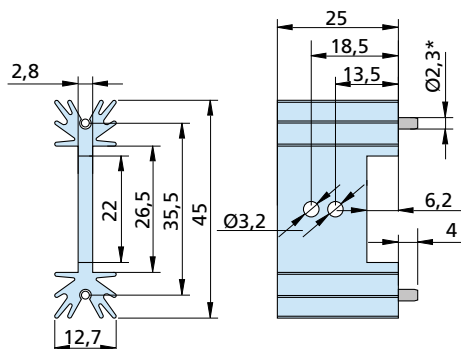
AN Alluminio, black anodized On stock
 W Alluminio, pre-black anodized On request
 R Alluminio, row On request
 Assembly: TO220/247/Manual Assembly

T46/25

RT 8,2°C/W



ST46



W Alluminio, pre-black anodized On request
 R Alluminio, row On request
 Assembly: TO220/247/Manual Assembly/Self-locking
 Clip ST46 On request

Disponibile versione senza pin saldatura su PCB, esempio: T46/25SP
 Available without pins version for PCB assembly, example: T46/25SP

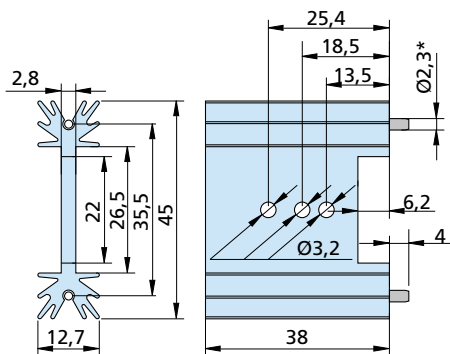
*Nota/Note: 2,3 mm ± 0,05

T46/38

RT 7°C/W



ST46



*Nota/Note: 2,3 mm ± 0,05

W Alluminium, pre-black anodized On request
R Alluminium, row On request
Assembly: TO220/247/Manual Assembly/Self-locking
Clip ST46 On request

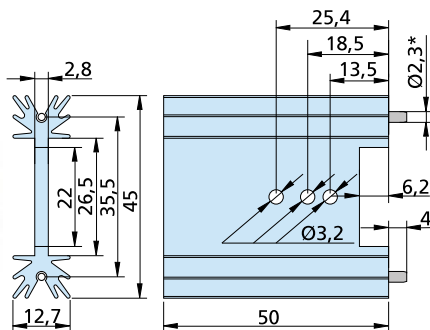
Disponibile versione senza pin saldatura su PCB, esempio: T46/38SP
Available without pins version for PCB assembly, example: T46/38SP

T46/50

RT 6,2°C/W



ST46



*Nota/Note: 2,3 mm ± 0,05

W Alluminium, pre-black anodized On request
R Alluminium, row On request
Assembly: TO220/247/Manual Assembly/Self-locking
Clip ST46 On request

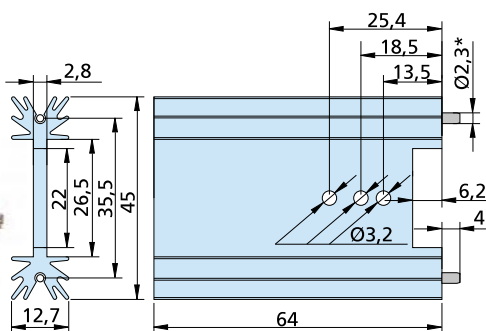
Disponibile versione senza pin saldatura su PCB, esempio: T46/50SP
Available without pins version for PCB assembly, example: T46/50SP

T46/64

RT 5,6°C/W



ST46



*Nota/Note: 2,3 mm ± 0,05

W Alluminium, pre-black anodized On request
R Alluminium, row On request
Assembly: TO220/247/Manual Assembly/Self-locking
Clip ST46 On request

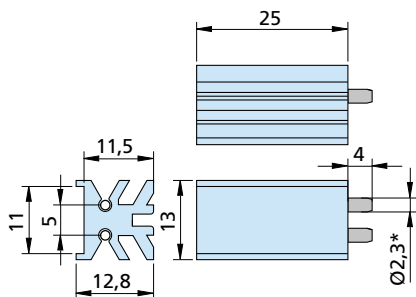
Disponibile versione senza pin saldatura su PCB, esempio: T46/64SP
Available without pins version for PCB assembly, example: T46/64SP

T47/25

RT 8,2°C/W



ST47



*Nota/Note: 2,3 mm ± 0,05

W Alluminium, pre-black anodized On request
R Alluminium, row On request
Assembly: TO220/Manual Assembly/Self-locking
Clip ST47 On request

Disponibile versione senza pin saldatura su PCB, esempio: T46/64SP
Available without pins version for PCB assembly, example: T46/64SP

Serie T Dissipatori estrusi per piccole potenze

T Series Low power extruded heat sink- Clips

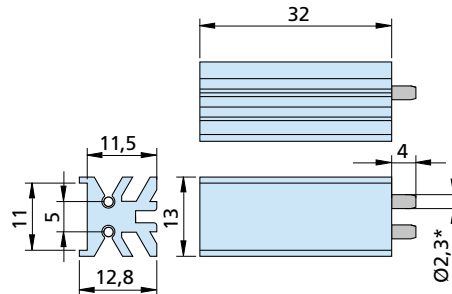
T47/32

RT 6,8°C/W



ST47

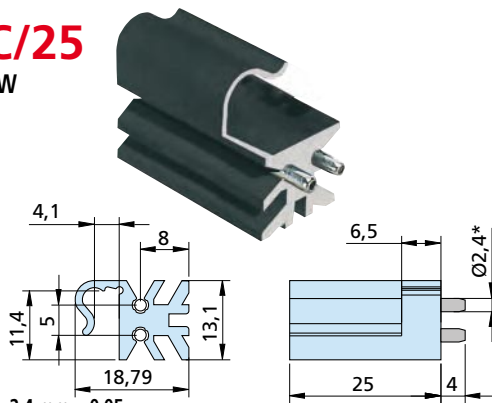
*Nota/Note: 2,3 mm ± 0,05



W Alluminium, pre-black anodized On request
 R Alluminium, row On request
 Assembly: TO220/Manual Assembly/Self-locking On request
 Clip ST47

T47C/25

RT 7,5°C/W



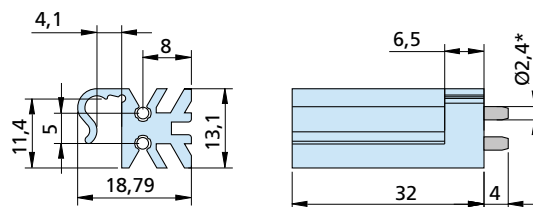
*Nota/Note: 2,4 mm ± 0,05

HIGH PERFORMANCES

W Alluminium, pre-black anodized On request
 R Alluminium, row On request
 Assembly: TO220/Self-locking

T47C/32

RT 6,2°C/W



*Nota/Note: 2,4 mm ± 0,05

HIGH PERFORMANCES

W Alluminium, pre-black anodized On request
 R Alluminium, row On request
 Assembly: TO220/Self-locking

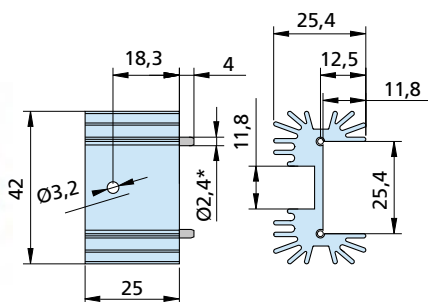
T48/25

RT 5,6°C/W



ST39

*Nota/Note: 2,4 mm ± 0,05



AN Alluminio, black anodized On request
 W Alluminium, pre-black anodized On request
 R Alluminium, row On request
 Assembly: TO220/247/Manual Assembly/Self-locking On request
 Clip ST39

Disponibile versione senza pin saldatura su PCB, esempio: T48/25SP
 Available without pins version for PCB assembly, example: T48/25SP



Serie T T Series

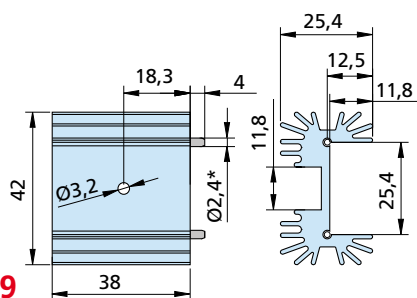
Dissipatori estrusi per piccole potenze
Low power extruded heat sink- Clips

T48/38

RT 4,1°C/W



ST39



*Nota/Note: 2,4 mm ± 0,05

AN Alluminio, black anodized On request
W Alluminio, pre-black anodized On request
R Alluminio, row On request
Assembly: TO220/247/Manual Assembly/Self-locking
Clip ST39 On request

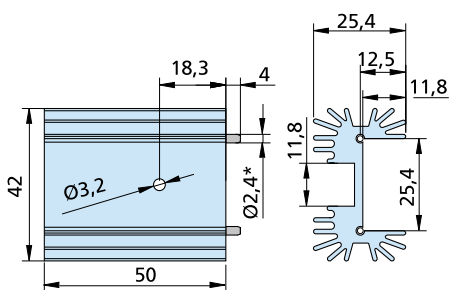
Disponibile versione senza pin saldatura su PCB, esempio: T48/38SP
Available without pins version for PCB assembly, example: T48/38SP

T48/50

RT 3,2°C/W



ST39



*Nota/Note: 2,4 mm ± 0,05

AN Alluminio, black anodized On request
W Alluminio, pre-black anodized On request
R Alluminio, row On request
Assembly: TO220/247/Manual Assembly/Self-locking
Clip ST39 On request

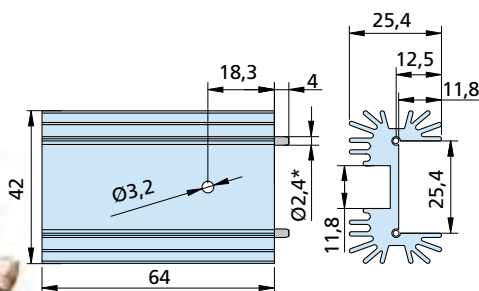
Disponibile versione senza pin saldatura su PCB, esempio: T48/50SP
Available without pins version for PCB assembly, example: T48/50SP

T48/64

RT 2,3°C/W



ST39



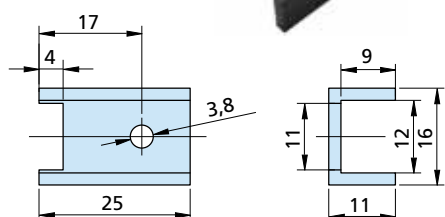
*Nota/Note: 2,4 mm ± 0,05

AN Alluminio, black anodized On stock
W Alluminio, pre-black anodized On request
R Alluminio, row On request
Assembly: TO220/247/Manual Assembly/Self-locking
Clip ST39 On request

Disponibile versione senza pin saldatura su PCB, esempio: T48/64SP
Available without pins version for PCB assembly, example: T48/64SP

T49

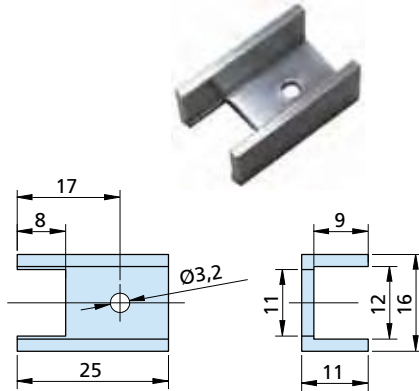
RT 18°C/W



AN Alluminio, black anodized On request
W Alluminio, pre-black anodized On request
R Alluminio, row On request
Assembly: TO220/Manual Assembly

T50

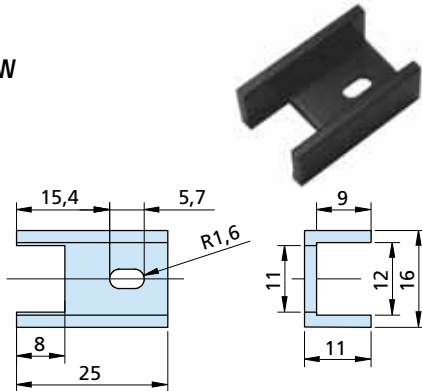
RT 18°C/W



AN Alluminio, black anodized On request
 W Alluminio, pre-black anodized On request
 R Alluminio, row On request
 Assembly: TO220/Manual Assembly

T51

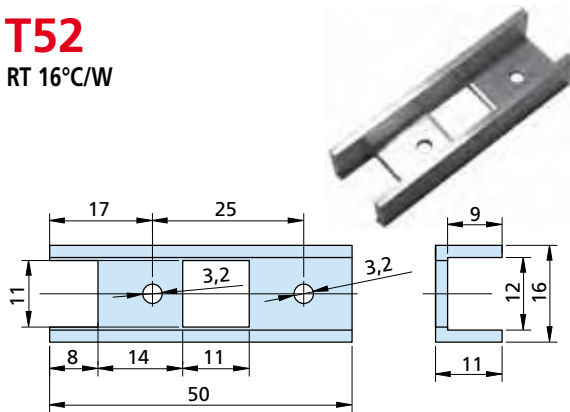
RT 18°C/W



AN Alluminio, black anodized On request
 W Alluminio, pre-black anodized On request
 R Alluminio, row On request
 Assembly: TO220/Manual Assembly

T52

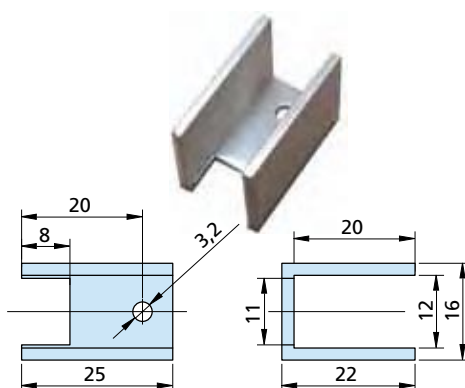
RT 16°C/W



AN Alluminio, black anodized On request
 W Alluminio, pre-black anodized On request
 R Alluminio, row On request
 Assembly: TO220/Manual Assembly

T53

RT 17°C/W



AN Alluminio, black anodized On request
 W Alluminio, pre-black anodized On request
 R Alluminio, row On request
 Assembly: TO220/Manual Assembly

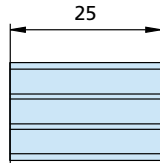
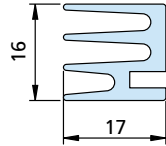


Serie T T Series

Dissipatori estrusi per piccole potenze
Low power extruded heat sink- Clips

T54/25

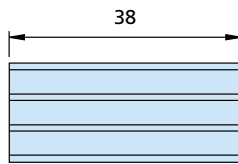
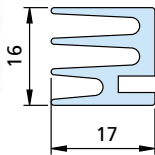
RT 8°C/W



AN Alluminio, black anodized On request
W Alluminio, pre-black anodized On request
R Alluminio, row On request
Assembly: x1 TO220/Manual Assembly

T54/38

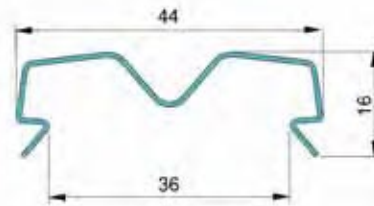
RT 6,7°C/W



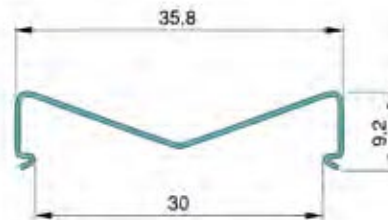
AN Alluminio, black anodized On request
W Alluminio, pre-black anodized On request
R Alluminio, row On request
Assembly: x2 TO220/Manual Assembly

Molle piatte in acciaio inox 304 mm 6,5 x 0,5 - *Inox 304 flat clips mm 6.5 x 0.5*

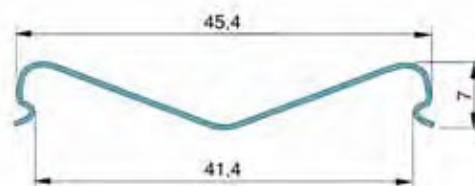
ST39



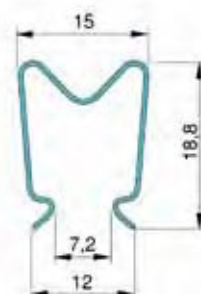
ST40



ST46



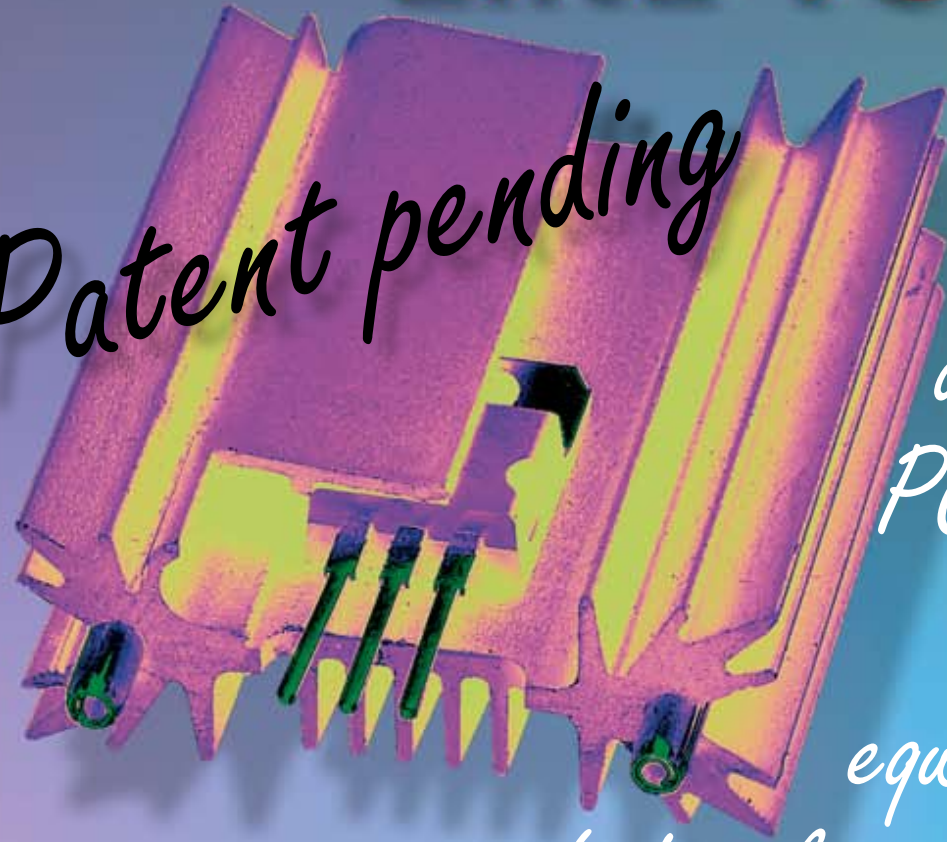
ST47



NEW

QUICK PCB LINE TO220

Patent pending



*LDS System
offers
a new range of
PCB heat sinks
with a fast
equipment system
of the electronic component*



Technical data:

- Material: Black or natural aluminium
- Dimensions: according to the catalogue or on request

Advantages:

- Quick assembly without screws, clips etc...
- Different finishing
- Special design on request



L.D.S. SYSTEM sas • 40010 BENTIVOGLIO (BOLOGNA) - ITALY
VIA MONARI SARDE', 3 • Phone. +39 0516641033 • Fax +39 0516640350



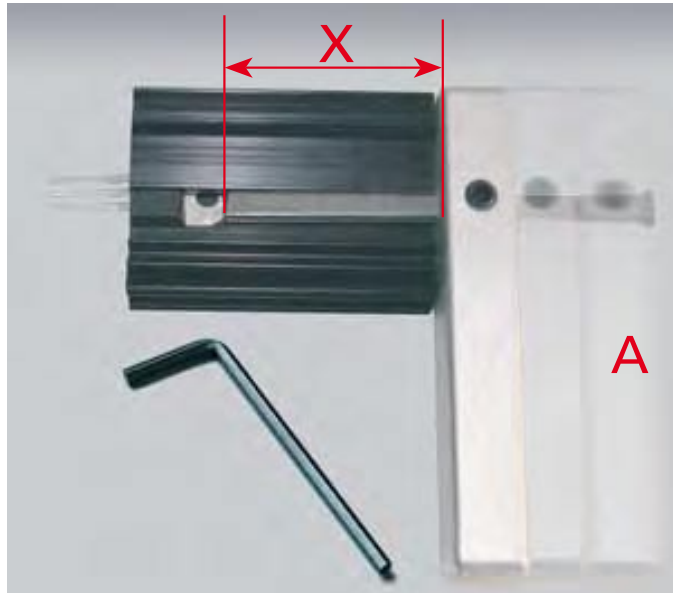
Directive



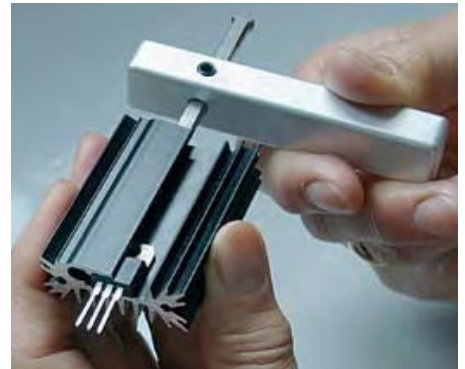
Preparation:

- 1- Put the tool in the dimension X as request
- 2- Fix the screw "A" with the apposite hexagonal key

Now the equipment is predisposed for the correct assembly of the components T0220 Packaging

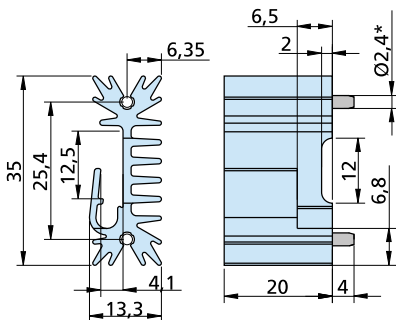


Assembly



T40C/20

RT 9°C/W



HIGH PERFORMANCES

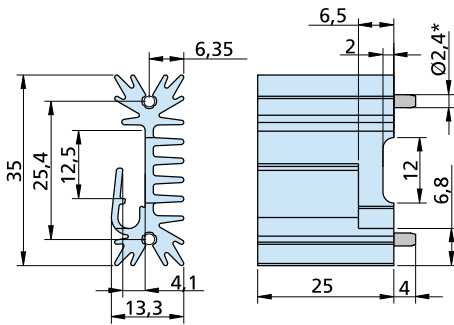
W Aluminium, pre-black anodized On request
 R Aluminium, row On request
 Assembly: TO220/247/Self-locking

Disponibile versione senza pin saldatura su PCB, esempio: T40C/20SP
 Available without pins version for PCB assembly, example: T40C/20SP

*Nota/Note: 2,4 mm \pm 0,05

T40C/25

RT 8°C/W



*Nota/Note: 2,4 mm ± 0,05

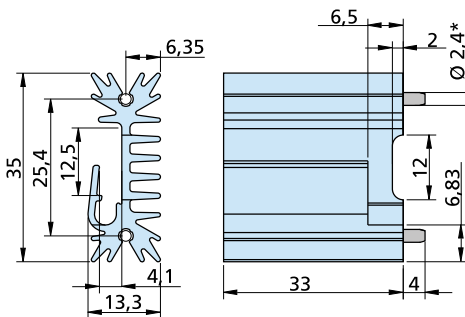
HIGH PERFORMANCES

W Alluminium, pre-black anodized On request
 R Alluminium, row On request
 Assembly: TO220/Self-locking

Disponibile versione senza pin saldatura su PCB, esempio: T40C/25SP
 Available without pins version for PCB assembly, example: T40C/25SP

T40C/33

RT 7°C/W



*Nota/Note: 2,4 mm ± 0,05

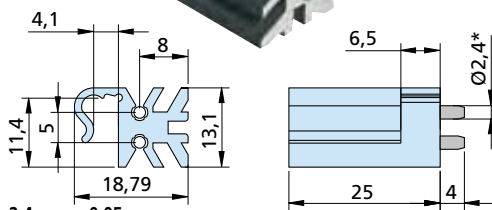
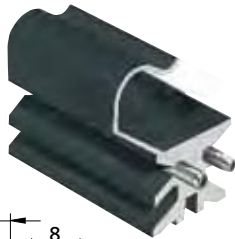
HIGH PERFORMANCES

W Alluminium, pre-black anodized On request
 R Alluminium, row On request
 Assembly: TO220/Self-locking

Disponibile versione senza pin saldatura su PCB, esempio: T40C/33SP
 Available without pins version for PCB assembly, example: T40C/33SP

T47C/25

RT 7,5°C/W



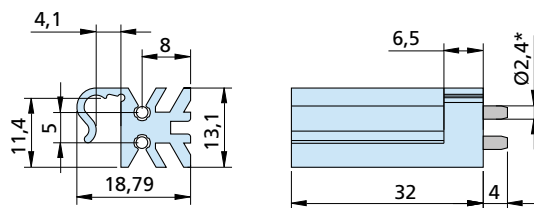
*Nota/Note: 2,4 mm ± 0,05

HIGH PERFORMANCES

W Alluminium, pre-black anodized On request
 R Alluminium, row On request
 Assembly: TO220/Self-locking

T47C/32

RT 6,2°C/W



*Nota/Note: 2,4 mm ± 0,05

HIGH PERFORMANCES

W Alluminium, pre-black anodized On request
 R Alluminium, row On request
 Assembly: TO220/Self-locking